



## SHAPED CHARGE DYNAWELL

## 39G XPU ST

**Application**

Temperature resistant multiple casing penetrating shaped charge with steel case. For use in hollow carrier gun systems for oilfield applications. For best entry hole consistency, the use of centralizing subs is strongly recommended.

**Explosive Content = 41.5 g**

**Pressure Rating**

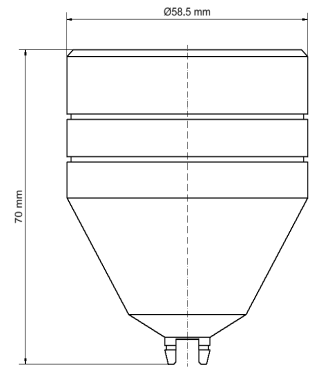
The charge is to be used only in the recommended gun systems. The pressure rating is determined by the pressure rating of the gun system. Consult the appropriate DynaEnergetics gun system specifications for further details.

**Shelf Life**

5 years at storage condition: -40 °C to +60 °C; -40 °F to +140 °F; maximum 65% relative humidity, good ventilation.

**Disposal**

Shaped charges should be destroyed only by authorised persons, and in accordance with all applicable laws, regulations and company procedures.



All dimensions in mm

**Specifications**

TYPE	PART NUMBER	CLASSIFICATION	CE NUMBER	UN NUMBER	D.O.T.
RDX	2330761	1.4 D	0080.EXP.10.0025	0440	EX2020012107
HMX	2330766	1.4 D	0080.EXP.10.0025	0440	EX2020012107

**Temperature Resistance**

TYPE	TIME	TEMPERATURE	
		IN °C	IN °F
RDX	1 Hour	165 °C	330 °F
HMX	1 Hour	205 °C	400 °F

**Gun Configuration**

GUN SIZE	SHOT DENSITY		PHASING
114 mm / 4.5 in (L)	13 spm	4 spf	60°
178 mm / 7 in (L)	39 spm	12 spf	135°
178 mm / 7 in (L)	50 spm	16 spf	140°

(L) to be shot in liquid only

**Packing Information**

Quantity per box	32 pcs
Gross weight per box	14.10 kg
Net weight per box	12.10 kg
NEC per box	1.328 kg
Dimensions of box	40 cm x 40 cm x 17 cm
Product weight	377 g
Package Type	Carton + Vacuum Bag

+/- 5% tolerance in weights