

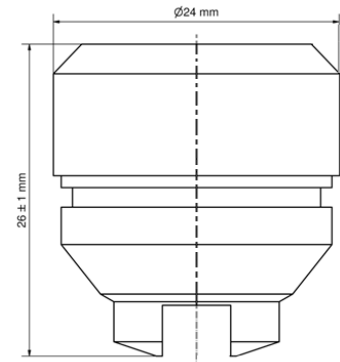
TYPE AND APPLICATION

Temperature resistant tubing puncher shaped charge with steel case. For use in expendable hollow steel carrier gun systems for oilfield applications.

Explosives content: 3.6g

PRESSURE RATING

The charge is to be used in the recommended gun systems; pressure rating is determined by the pressure rating of the gun system. Consult the appropriate DynaEnergetics gun system specifications for further details.



All Dimensions in mm

PERFORMANCE

Puncher Gun OD (mm/in)	Charge Type	Explosive Weight (g)	Average Tubing Entry Hole* (mm/in)	Tubing Thickness* (mm/in)	Max. Casing Damage *§ (mm / in)
40 / 1-9/16	DynaFlow SPU	3.6	9.4 / 0.37	5 / 0.20	2.8 / 0.11
40 / 1-9/16	DynaFlow SPU	3.6	9.0 / 0.35	10 / 0.39	0.5 / 0.02
40 / 1-9/16	DynaFlow MPU	3.6	8.7 / 0.34	12 / 0.47	1.9 / 0.07
40 / 1-9/16	DynaFlow LPU	3.6	6.7 / 0.26	15 / 0.59	3.8 / 0.15

* L-80 Tubing and Casing, § at 1/4" standoff

SHELF LIFE

5 years at storage condition: - 40°C to + 60° C; -40°F to + 140°F; maximum 65% relative humidity; good ventilation.

DISPOSAL

Shaped charges should be destroyed only by authorised persons, and in accordance with all applicable laws, regulations and company procedures.

SPECIFICATIONS

Charge Type	Explosive	Part Number	Classification	CE Number	UN Number	D.O.T.
DynaFlow SPU	HMX	2328312	1.4D	Pending	0440	Pending
DynaFlow MPU	HMX	2328311	1.4D	Pending	0440	Pending
DynaFlow LPU	HMX	2328310	1.4D	Pending	0440	Pending

TEMPERATURE RESISTANCE

Type	Time	Temperature in °C	Temperature in °F
HMX	1 hour	205 °C	400 °F

GUN CONFIGURATION

Gun Size	Shot Density	Phasing	
1 9/16"	40 mm	4 spf 13 spm	0°

PACKING INFORMATION

Quantity per box	50 pcs
Gross weight per box	4.55 kg
Net weight per box	2.2 kg
NEC per box	0.18 kg
Dimensions of box	40cm x 40cm x 16cm
Product Weight	44 g
Package Type	Carton + Vacuum Bag
+/- 5 % tolerance in weights	