

## APPLICATION

RF-safe, fluid disabled, temperature resistant detonator for oilfield use.

## ELECTRICAL PARAMETERS

Resistance: 56 kΩ ± 2kΩ

Red Wire: Positive (+)

Black Wire: Negative (-)

Measuring with DMM digitally locked

Operation only possible with the suitable DynaEnergetics digital firing panel

## SAFETY TESTED

Against max. static electricity: 2,500 PF 30 KV

Against max. high frequency: 10KHz to 4GHz

Safety tested at: 120 VDC

## FLUID DESENSITIZATION

After 2 minutes in water

## EXPLOSIVES

Primary charge: 80mg PbN<sub>6</sub> 1.23 grains

Base charge: 575mg HNS 8.87 grains

## RECOMMENDED WIRE STRIPPER

Ideal Stripmaster Special 45-171 with blade L-5211

## SHELF LIFE

5 years at storage condition: -40°C to +60°C, -40°F to +140°F; maximum 65% relative humidity, good ventilation.

## DISPOSAL

Detonators should be destroyed only by authorized persons and in accordance with all applicable laws, regulations and company procedures.

## SPECIFICATIONS

Part No.	Classification	CE Number	UN Number	D.O.T.
2324052	1.4S	0589.EXP.1562/99	0456	EX2013040593

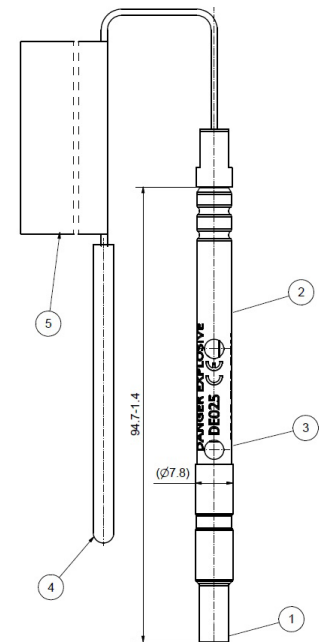
## TEMPERATURE RESISTANCE

Temperature in °C	Temperature in °F
190°C / 1hr	375°F / 1hr
260°C / 1hr *	500°F / 1hr *

\* with heat insulated special vacuum flask PN 2327283

## PACKING INFORMATION

Quantity per box	50 pcs
Gross weight per box	13.6 kg
Net weight per box	0.65 kg
NEC per box	0.033 kg
Dimensions of box	33cm x 32cm x 23cm
Product Weight	13 g
Package Type	Steel Case + Vacuum Bag
+/- 5 % tolerance in weights	



All Dimensions in mm

1. Crimp Extension
2. Aluminum Shell
3. FD Holes
4. Shunt
5. TTE label