

APPLICATION

RF-safe, fluid disabled, temperature resistant detonator for oilfield use.

ELECTRICAL PARAMETERS

Resistance: 56 kΩ ± 2kΩ
 Red Wire: Positive (+)
 Black Wire: Negative (-)

Measuring with DMM digitally locked
 Operation only possible with the suitable DynaEnergetics digital firing panel

SAFETY TESTED

Against max. static electricity: 2,500 PF 30 KV
 Against max. high frequency: 10KHz to 4GHz
 Safety tested at: 120 VDC

FLUID DESENSITIZATION

After 2 minutes in water

EXPLOSIVES

Primary charge: 80mg PbN₆ 1.23 grains
 Base charge: 660mg RDX 10.19 grains

RECOMMENDED WIRE STRIPPER

Ideal Stripmaster Special 45-171 with blade L-5211

SHELF LIFE

5 years at storage condition: -40°C to +60°C, -40°F to +140°F; maximum 65% relative humidity, good ventilation.

DISPOSAL

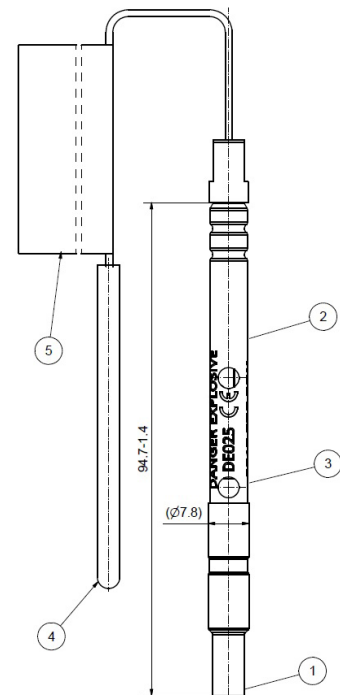
Detonators should be destroyed only by authorized persons and in accordance with all applicable laws, regulations and company procedures.

SPECIFICATIONS

Part No.	Classification	CE Number	UN Number	D.O.T.
2466555	1.4S	0589.EXP.1561/99	0456	EX2013040592

TEMPERATURE RESISTANCE

Temperature in °C	Temperature in °F
150°C / 1hr	302°F / 1hr
Function tested in laboratory	
150°C / 5hr	302°F / 5hr



All Dimensions in mm

1. Crimp Extension
2. Aluminum Shell
3. FD Holes
4. Shunt
5. TTE label

PACKING INFORMATION

Quantity per box	50 pcs
Gross weight per box	13.30 kg
Net weight per box	.65 kg
NEC per box	0.04 kg
Dimensions of box	33cm x 32cm x 23cm
Product Weight	13 g
Package Type	Steel Case + Vacuum Bag
+/- 5 % tolerance in weights	