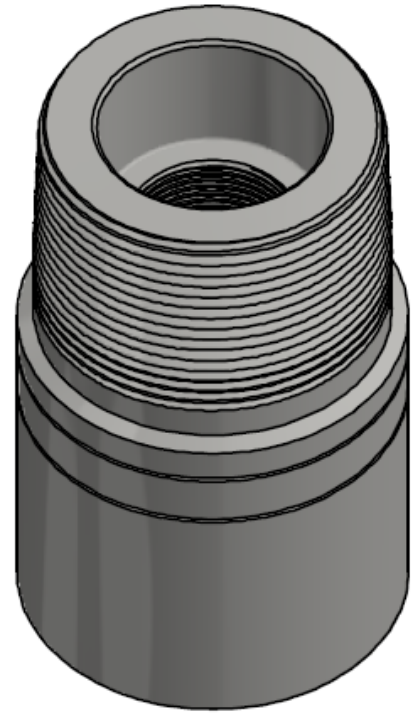


DESCRIPTION

The DynaEnergetics™ X-Over Base Module for the TCP Modular Firing Head System provides the interface between the individual firing modules and the gun system.



SPECIFICATIONS

Connection Size	2-3/8" EUE Pin	2-7/8" EUE Pin	3-1/2" EUE Pin
Part Number	2329295	2329296	2329993
Weight	2.2 kg / 4.9 #	3.4 kg / 7.5 #	6.9 kg / 15.3 #
Overall Length	139.7 mm / 5.5"	139.7 mm / 5.5"	139.7 mm / 5.5"
Maximum Tool OD	79.0 mm / 3.110"	86.0 mm / 3.385"	114.3 mm / 4.5"
Temperature Rating	Varies with elastomer, 205°C with standard seals		
Pressure Rating	137.8 MPa / 20 000 PSI		
Tensile	30840 kg // 68000 #		
Connections	2-3/8" EUE pin up 2.75 GO box down	2-7/8" EUE pin up 2.75 GO box down	3-1/2" EUE pin up 2.75 GO box down
Material	4140 HTSR / P110		

Note: Product conditions must be monitored, inspected, and maintained regularly to ensure proper service in accordance with DynaEnergetics guidelines. Failure to do so may result in personal injury and/or property damage. For questions, please contact your DynaEnergetics representative.