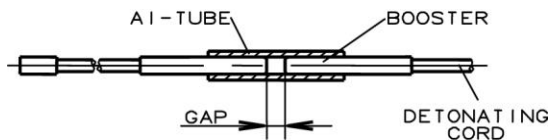


## Application

Temperature resistant bi-directional booster for oilfield use.

## Sensitivity

Booster to booster transfer at air gap of max. 80 mm (3.15")



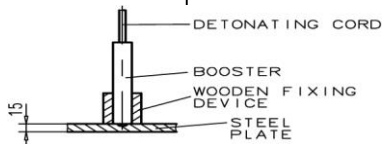
Detonating cord to booster transfer at air gap of max. 6 mm (0.236")

## Explosives

HMX 600mg    9.25 grains

## Output

Dent in a steel plate of min. 0.7 mm (0.028")

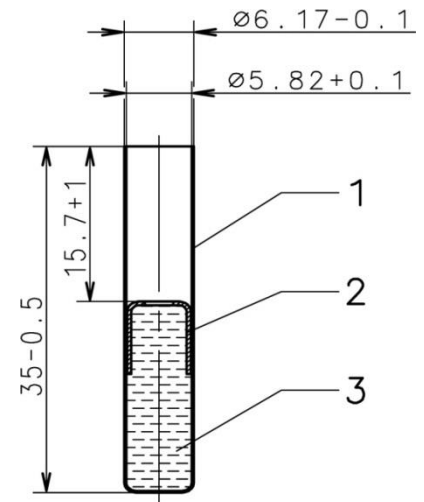


## Shelf Life

5 years at storage conditions of -40°C to +60°C; -40°F to +140°F; maximum 65% relative humidity with good ventilation.

## Disposal

Detonators should be destroyed only by authorised persons and in accordance with all applicable laws, regulations and company procedures.



1. Sleeve
2. Inner Sleeve
3. Charge

All Dimensions in mm

Part Number	Package	Classification	CE Number	UN Number	D.O.T.
2505980	200 pcs	1.4D	0080.EXP.98.0027	0352	PENDING
2313244	100 pcs	1.4D	0080.EXP.98.0027	0352	PENDING
2505675	50 pcs	1.4D	0080.EXP.98.0027	0352	PENDING

## Temperature Resistance

Temperature in °C	Temperature in °F
205°C / 1hr	401°F / 1 hr
180°C / 24hr	356°F / 24 hr
150°C / 100hr	302°F / 100 hr

## Packing Information

Quantity per box	50 pcs	100 pcs	200 pcs
Gross weight per box	0.7 kg	0.9kg	1.58 kg
Net weight per box	0.06 kg	0.11 kg	0.22 kg
NEC per box	0.03 kg	0.06 kg	0.12 kg
Dimensions of box	36cm x 23cm x 15.5cm	36cm x 23cm x 15.5cm	40cm x 39cm x 15.5cm
Product Weight	1.1 g		
Package Type	Carton + Vacuum Bag		

+/- 5 % tolerance in weights