

DynaEnergetics™ distributes the following sizes of Exposed Gun Systems.

Strip Gun

The DynaEnergetics retrievable Strip Gun with its encapsulated TTG charges is an ultra high performance semi - expendable gun system for through tubing applications.

The gun provides a more powerful explosive load than equivalent diameter retrievable hollow carrier systems (scallop gun). The carrier strip is recovered after firing with the charge front caps in place, leaving only a small amount of steel chips from the charge cases in the well as debris. On request the charge case can be manufactured from Zinc material to eliminate wellbore debris.

Link Gun

The DynaEnergetics Link Gun with its encapsulated TTG charges permits the advantage of a steel charge combined with a die cast link for debris economy performance. This fully expendable gun finds application in through tubing operations where deep penetration phased perforations and moderate costs are primary considerations. As with all expendable guns, charge debris must be planned for considering the use of this gun.

For charge information see the Technical Data Sheets.

- Pressure rating up to 100 MPa / 14,500 psi
- Corrosion protected by zinc coated cases
- Optional zinc case charges available
- Safe and quick assembly at the well site

Through Tubing Gun Systems DYNAWELL Selection Chart

Through Tubing Strip Gun System			Through Tubing Link Gun System			
Part No.	Description		Part No.	Description		
2819076	Firing Head for Strip	Top connection 1 3/16" - 12 THD Type "A" Box	2314293	Adapter Head Link	Top connection 1 3/16" - 12 THD Type "A" Box	
2819142	Tandem Strip Adapter	For connecting of strips	2315336	8 g DP TTG Link 13 spm St RDX	Recommended Shaped Charges to be used, Charges are delivered with Link Holder	
2315273	3m Strips for 13 spm TTG Charge	Recommended carrier strips to be used	2315335	8 g DP TTG Link 13 spm St HMX		
2315271	2m Strips for 13 spm TTG Charge		*	8 g DP TTG Link 13 spm St HNS		
2315269	1m Strips for 13 spm TTG Charge		2315455	8 g DP TTG Link 13 spm Zn RDX		
2315274	3m Strips for 20 spm TTG Charge		2315457	8 g DP TTG Link 13 spm Zn HMX		
2315272	2m Strips for 20 spm TTG Charge		2314641	8 g DP TTG Link 20 spm St RDX		
2315270	1m Strips for 20 spm TTG Charge		2314643	8 g DP TTG Link 20 spm St HMX		
2314652	8 g DP TTG Strip St RDX		Recommended shaped charges to be used	*		8 g DP TTG Link 20 spm St HNS
2314653	8 g DP TTG Strip St HMX	2315458		8 g DP TTG Link 20 spm Zn RDX		
2315450	8 g DP TTG Strip St HNS	2315459		8 g DP TTG Link 20 spm Zn HMX		
2315451	8 g DP TTG Strip Zn RDX	2810554		13 g DP TTG Link 13 spm St RDX		
2315452	8 g DP TTG Strip Zn HMX	2313321		13 g DP TTG Link 13 spm St HMX		
2810653	13 g DP TTG Strip St RDX	*		13 g DP TTG Link 13 spm St HNS		
2810661	13 g DP TTG Strip St HMX	2313322		13 g DP TTG Link 20 spm St RDX		
*	13 g DP TTG Strip St HNS	2313323		13 g DP TTG Link 20 spm St HMX		
2819449	Accessory Kit Strip for Z480 or 1018	Required for Assembly of Strip System		2311156		Accessory Kit Link for Z480 or 1018
2819134	Sealing Boot for Detonator DW Z 480	Included in Accessory Kit Strip 2819449		2819134	Sealing Boot for Detonator DW Z 480	Included in Accessory Kit Link 2311156
2819332	Sealing Boot for Electric Connection		2819332	Sealing Boot for Electric Connection		
2315969	Sealing Boot for Electric Wire Connection		2315969	Sealing Boot for Electric Wire Connection		
2819126	Sealing Boot for Detonating Cord End		2819126	Sealing Boot for Detonating Cord End		
2311155	Accessory Kit Strip for 1015E or 1423	Required for Assembly of Strip System	2819175	Bottom Nose for Link	Required for Assembly of Link System	
2310665	Sealing Boot for Detonator DW 1423	Included in Accessory Kit 2311155	2311157	Accessory Kit Link for 1015E or 1423		
2819332	Sealing Boot for Electric Connection		2310665	Sealing Boot for Detonator DW 1423	Included in Accessory Kit Link 2311157	
2315969	Sealing Boot for Electric Wire Connection		2819332	Sealing Boot for Electric Connection		
2819126	Sealing Boot for Detonating Cord End		2315969	Sealing Boot for Electric Wire Connection		
2819092	Bottom Nose for Strip		2819126	Sealing Boot for Detonating Cord End		
2819290	1 11/16" Magnetic Decentralizer for Strip	Recommended Accessories	2819175	Bottom Nose for Link		
2819308	2 1/8 " Magnetic Decentralizer for Strip					
		*	Available on Request			
Recommended Initiating Systems		DW z 480 / DW 1018 HMX / DW 1020 HNS / DW 1423 / DW 1015 E				
Recommended Detonating Cords		DW PT 150 / DW PT 165 / DW PT 170 / DW PT 185 / DW Octoslim 40 PT 185 / DW PT 185 Slim/ DW PT 250 / DW PT 250 Slim				

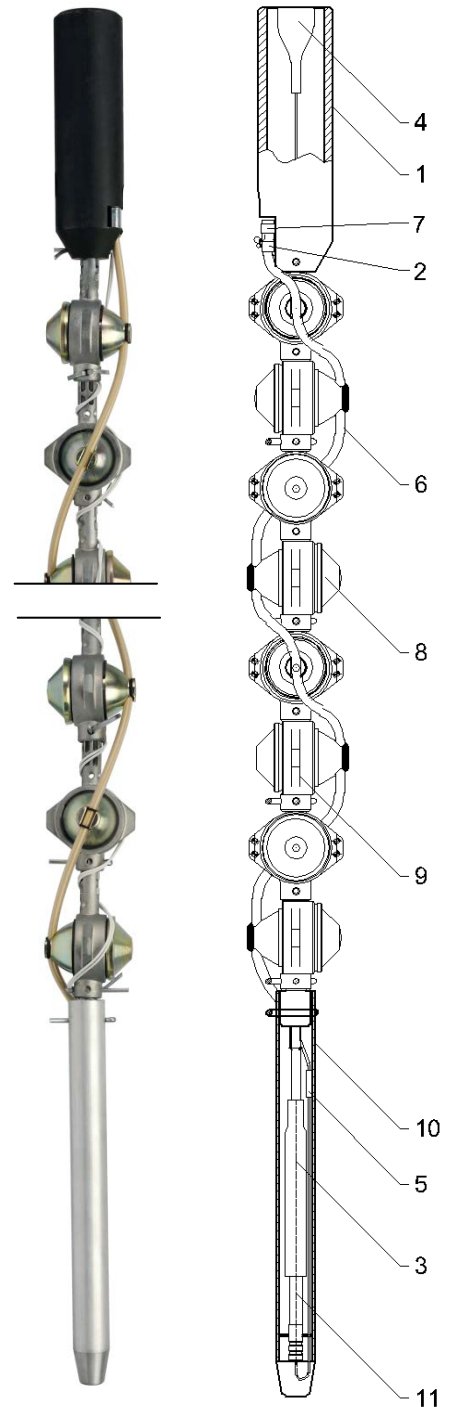
Revised 11/12/16

The DynaEnergetics Link Gun with its encapsulated TTG charges permits the advantage of a steel charge combined with a die cast link for debris economy performance.

This fully expendable gun finds application in through tubing operations where deep penetration phased perforations and moderate costs are primary considerations. As with all expendable guns, charge debris must be planned for considering the use of this gun.

1. Firing Head Link
2. Sealing Boot for Detonating Cord End
3. Sealing Boot for Detonator
4. Sealing Boot for Electric Connection
5. Sealing Sleeve for Electric Wire Connection
6. Detonating Cord
7. Detonating Cord Holder
8. Shaped Charge for Link Gun System
9. Link Holder
10. Bottom Nose for Link
11. Detonator

Accessory Kit Link consists of items 2 to 5, 7 and 10.



Description

The DynaEnergetics retrievable Strip Gun with its encapsulated TTG charges is an ultra-high performance semi - expendable gun system for through tubing applications.

The gun provides a more powerful explosive load than equivalent diameter retrievable hollow carrier systems (scallop gun). The carrier strip is recovered after firing with the charge front caps in place, leaving only a small amount of steel chips from the charge cases in the well as debris. On request the charge case can be manufactured from Zinc material to eliminate wellbore debris.

Features

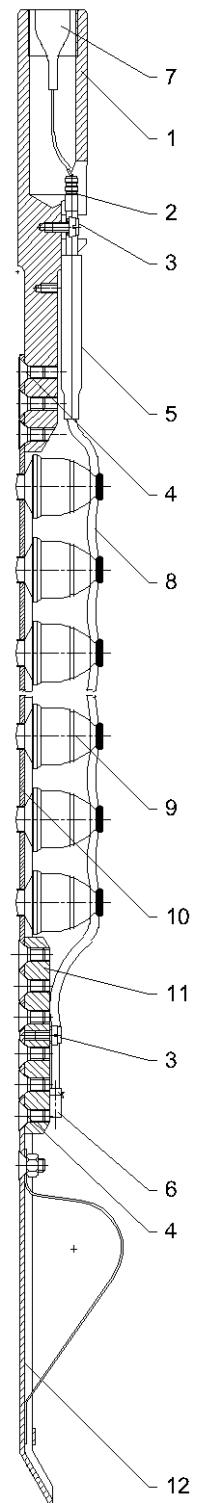
- Available in 1-11/16" and 2-1/8" OD
- Pressure rating up to 100 MPa / 14,500 psi
- Corrosion protected by zinc coated cases
- Optional zinc case charges available
- Safe and quick assembly at the well site

System Parts

- | | |
|----|---|
| 1 | Firing Head Strip Model 1 |
| 2 | Detonator |
| 3 | Detonating Cord Holder / Detonator Holder |
| 4 | Screw |
| 5 | Sealing Boot for Detonator |
| 6 | Sealing Boot for Detonating Cord End |
| 7 | Sealing Boot for Electric Connection |
| 8 | Detonating Cord |
| 9 | Shaped Charge for Strip Gun System (8g and 13g) |
| 10 | Carrier Strip Model 1 |
| 11 | Tandem Strip Adapter |
| 12 | Bottom Nose Assembly for Strip Model 1 |

Accessory Kit Strip

Consists of items 3 to 7.



Note: Product condition must be inspected to ensure proper service in accordance with DynaEnergetics guideline. Failure to do so may result in personal injury and/ or property damage. For questions please contact your DynaEnergetics representative.

Description

The DYNAWELL retrievable Strip Gun with its encapsulated TTG charges is an ultra-high performance semi - expendable gun system for through tubing applications.

The gun provides a more powerful explosive load than equivalent diameter retrievable hollow carrier systems (scallop gun). The carrier strip is recovered after firing with the charge front caps in place, leaving only a small amount of steel chips from the charge cases in the well as debris. On request the charge case can be manufactured from Zinc material to eliminate wellbore debris.

Features

- Available in 1-11/16" and 2-1/8" OD
- Pressure rating up to 100 MPa / 14,500 psi
- Corrosion protected by zinc coated cases
- Optional zinc case charges available
- Safe and quick assembly at the well site

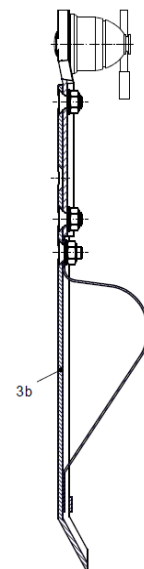
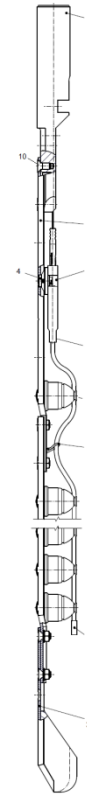
System Parts

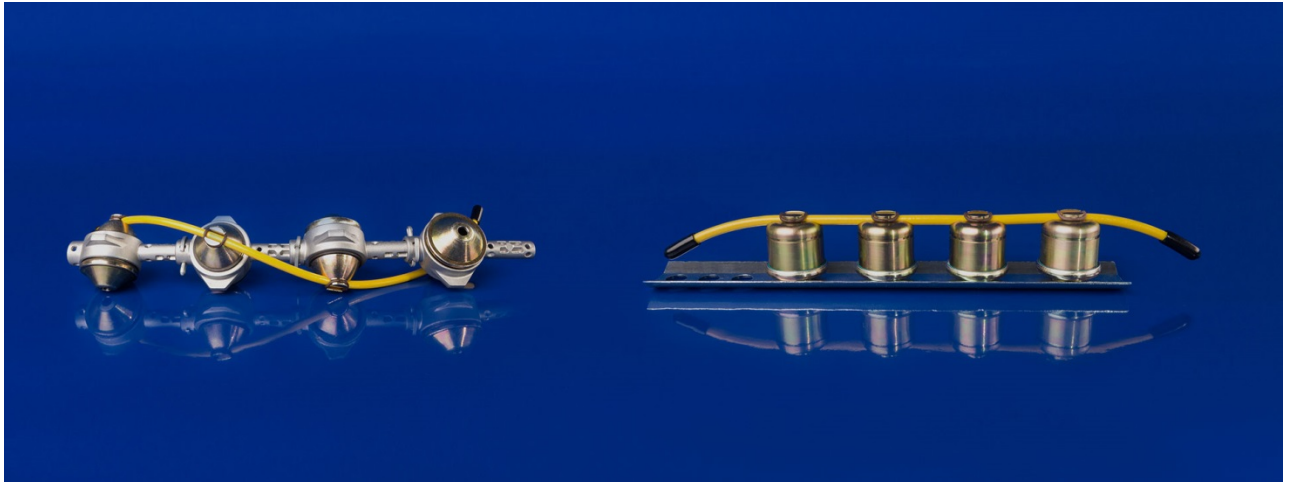
- | | |
|----|---|
| 1 | Firing Head Strip Model 2 |
| 2 | Carrier Strip Model 2 |
| 3a | Bottom Nose Assembly Type 2 |
| 3b | Bottom Nose Assembly Type 1 |
| 4 | Detonator Holder Adapter |
| 5 | Detonating Cord and Clip |
| 6 | Sealing Boot for Detonating Cord End |
| 7 | Sealing Boot for Detonator |
| 8 | Detonator Clamp/ Holder |
| 9 | Shaped Charge for Strip Gun System (8g and 13g) |
| 10 | Screw |

Accessory Kit Strip

Consists of items 4 to 8.

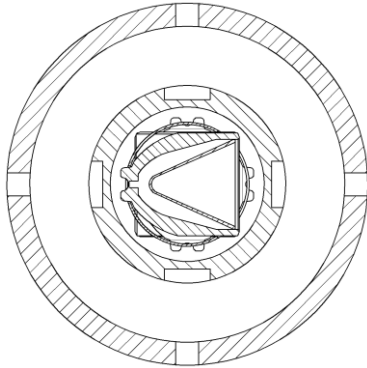
Note: Product condition must be inspected to ensure proper service in accordance with DynaEnergetics guideline. Failure to do so may result in personal injury and/or property damage. For questions please contact your DynaEnergetics representative.



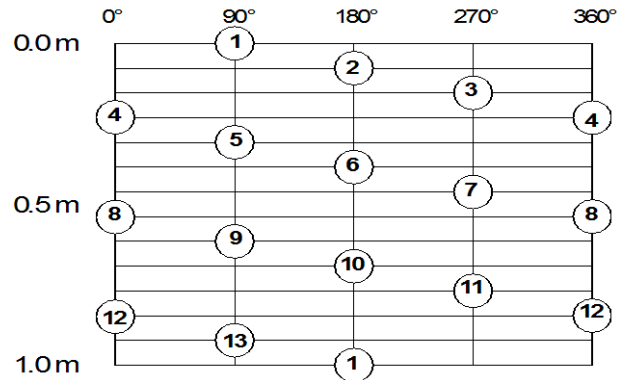


DynaEnergetics™ distributes the following sizes of Exposed Gun Systems.

Configuration Schematic



Shot Pattern



Technical Information

Carrier Specifications	
Pressure Rating	172 MPa / 25,000psi
Temperature Rating	230 °C / 450 °F
Tensile Strength	284000N / 63846 lbs
Tandem Shot Spacing	0.33 m / 1.08 ft
Carrier Thread	1.275" - 12 TPI Acme

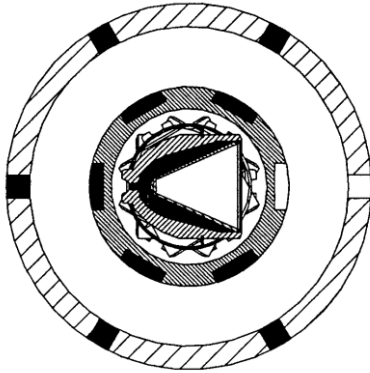
Only to be shot in fluid when using zinc charges

Shot Interval	Gun Length	Shot Total	Gun Weight w/o explosive components
1 m	1.26 m	14	6.0 kg net
2 m	2.26 m	27	11.0 kg net
3 m	3.26 m	40	15.5 kg net
4 m	4.26 m	53	20.0 kg net
5 m	5.26 m	66	25.0 kg net
6 m	6.26 m	79	30.0 kg net

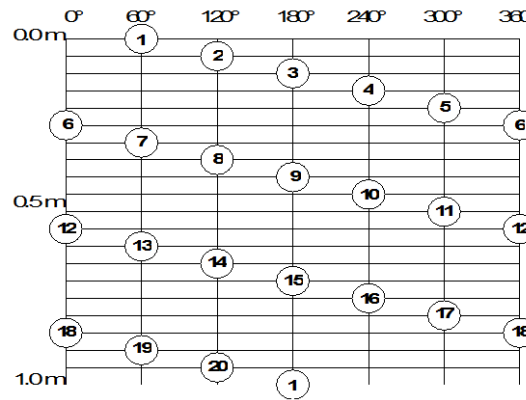
Selection Chart

Item	1 m	2 m	3 m	4 m	5 m	6 m
Gun System for 3 g DP	2316234	2316236	2316238	2316240	2316242	2316244
Charge Tube for 3 g DP	2316260	2316262	2316264	2316266	2316268	2316270
Carrier	2316286	2316288	2316290	2316292	2316295	2316297
Retention Ring	7903165					
Booster Kit	2315723					
Spacer Gun Kit	On request					

Configuration Schematic



Shot Pattern



Technical Information

Carrier Specifications	
Pressure Rating	172 MPa / 25,000psi
Temperature Rating	230 °C / 450 °F
Tensile Strength	284000N / 63846 lbs
Tandem Shot Spacing	0.33 m / 1.08 ft
Carrier Thread	1.275" - 12 TPI Acme

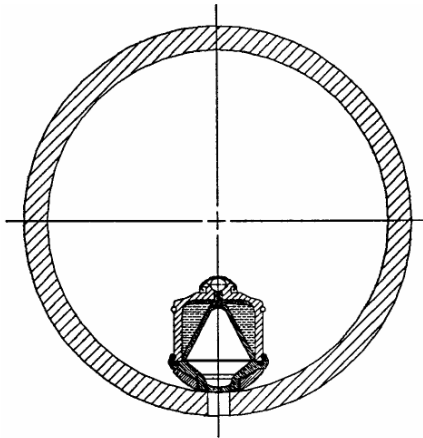
Only to be shot in fluid when using zinc charges

Shot Interval	Gun Length	Shot Total	Gun Weight w/o explosive components
1 m	1.33 m	21	6.0 kg net
2 m	2.33 m	41	11.0 kg net
3 m	3.33 m	61	15.5 kg net
4 m	4.33 m	81	20.0 kg net
5 m	5.33 m	101	25.0 kg net
6 m	6.33 m	121	30.0 kg net

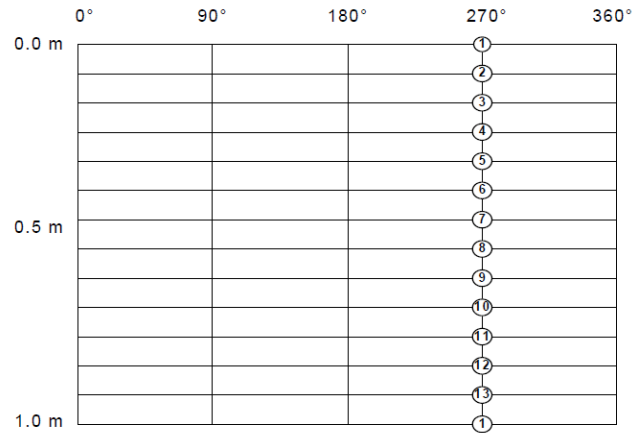
Selection Chart

Item	1 m	2 m	3 m	4 m	5 m	6 m
Gun System for 3 g DP	2316247	2316249	2316251	2316253	2316255	2316257
Charge Tube for 3 g DP	2316273	2316275	2316277	2316279	2316281	2316283
Carrier	2316300	2316302	2316304	2316306	2316308	2316310
Retention Ring	7903165					
Booster Kit	2315723					
Spacer Gun Kit	On request					

Configuration Schematic



Shot Pattern



Technical Information

TTG Strip Specifications	
Max O.D.	43mm (1.6875")
Min I.D. For Running	45mm (1.78")
Pressure Rating	Depending on Charge Type
Temperature Rating	Depending on Charge Type
Tensile Strength	2,000 N (450lbs)
Tandem Shot Spacing	0.20m (0.65ft)
Firing Head Thread	1 3/16-12 Type "B"
Debris/Charge	Depending on Charge Type

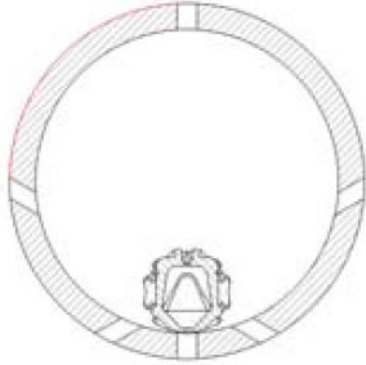
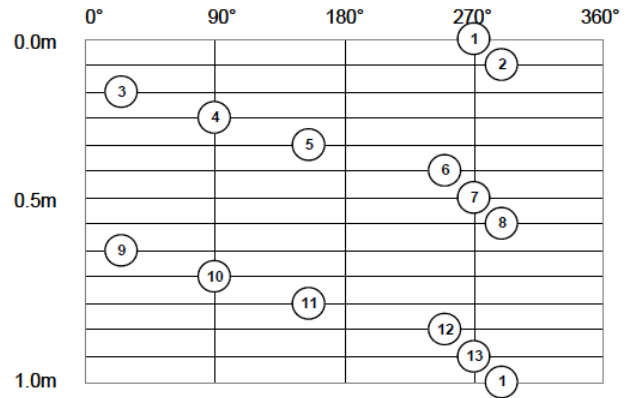
Shot Interval	Strip Length	Shot Total	Strip Weight w/o explosive components
1 m	1.14 m	14	0.5 kg
2 m	2.14 m	27	1.0 kg
3 m	3.14 m	40	1.5 kg

Note: Maximum 2 Strips per run are recommended

System Components

Item	1 m	2 m	3m
Carrier Strip TTG Model 2	2323472	2323474	2323476
Firing Head Strip TTG Model 2		2323470	
Bull Nose TTG Strip Model 2		2325733	
Spring Bottom Nose TTG Strip Model 2		2326136	
Accessory Kit Strip for Z480 or 1018		2323488	
Accessory Kit Strip for 1015E or 1423		2323489	
Loading Tool TTG Strip 8g DP		2326020	

Note: It is recommended to use one Accessory Kit Strip per run

Configuration Schematic

Shot Pattern 60°

Technical Information

TTG Strip Specifications	
Max O.D.	43mm (1.6875")
Min I.D. For Running	45mm (1.78")
Pressure Rating	Depending on Charge Type
Tandem Shot Spacing	0.16m (0.52ft)
Firing Head Thread	1 3/16-12 Type "B"
Debris/Charge	Depending on Charge Type

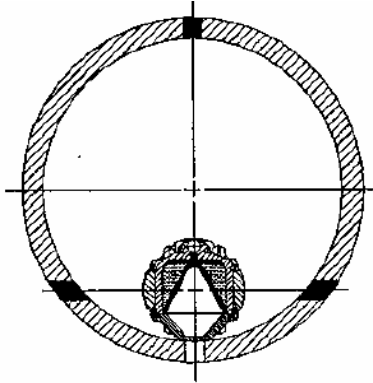
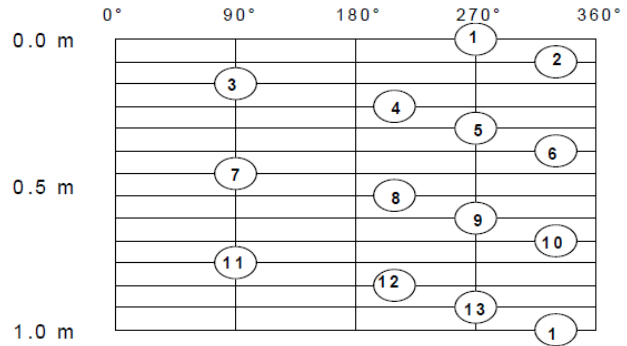
Shot Interval	Strip Length	Shot Total	Strip Weight w/o explosive components
1 m	1.14 m	14	0.5 kg
2 m	2.14 m	27	1.0 kg
3 m	3.14 m	40	1.5 kg

Note: It is recommended to use one Accessory Kit Strip per run

System Components

Item	Part No.
Firing Head Link	2314293
Bottom Nose	2819175
Accessory Kit Link for Z480 or 1018	2311156
Accessory Kit Link for 1015E or 1423	2311157

Note: It is recommended to use one Accessory Kit Strip per run.

Configuration Schematic

Shot Pattern 90°

Technical Information

TTG Strip Specifications	
Max O.D.	43mm (1.6875")
Min I.D. For Running	45mm (1.78")
Pressure Rating	Depending on Charge Type
Tandem Shot Spacing	0.16m (0.52ft)
Firing Head Thread	1 3/16-12 Type "B"
Debris/Charge	Depending on Charge Type

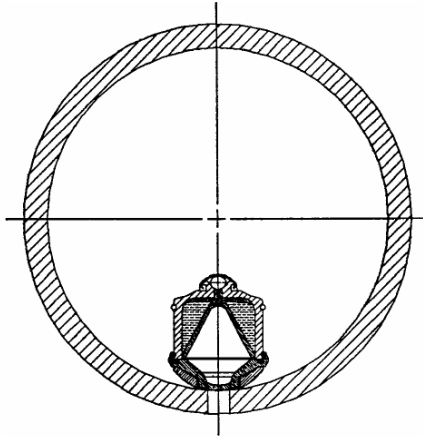
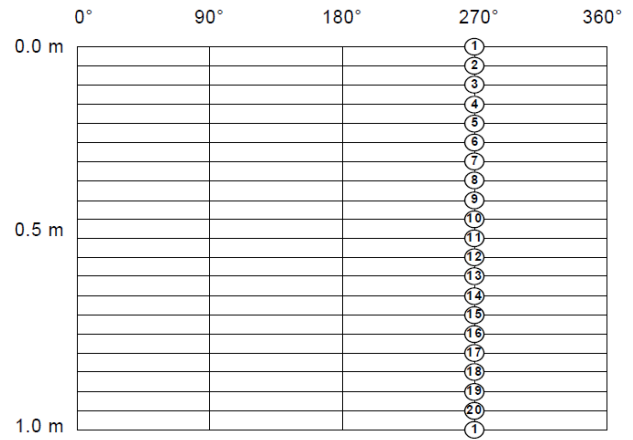
Shot Interval	Strip Length	Shot Total	Strip Weight w/o explosive components
1 m	1.14 m	14	0.5 kg
2 m	2.14 m	27	1.0 kg
3 m	3.14 m	40	1.5 kg

Note: It is recommended to use one Accessory Kit Strip per run

System Components

Item	Part No.
Firing Head Link	2314293
Bottom Nose	2819175
Accessory Kit Link for Z480 or 1018	2311156
Accessory Kit Link for 1015E or 1423	2311157

Note: It is recommended to use one Accessory Kit Strip per run.

Configuration Schematic

Shot Pattern

Technical Information

TTG Strip Specifications	
Max O.D.	43mm (1.6875")
Min I.D. For Running	45mm (1.78")
Pressure Rating	Depending on Charge Type
Temperature Rating	Depending on Charge Type
Tensile Strength	2,000 N (450lbs)
Tandem Shot Spacing	0.16m (0.52ft)
Firing Head Thread	1 3/16-12 Type "B"
Debris/Charge	Depending on Charge Type

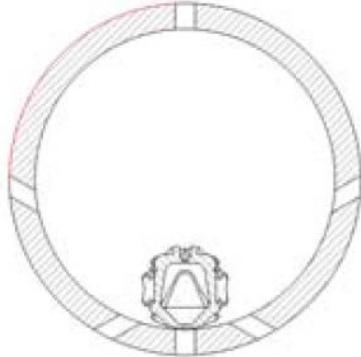
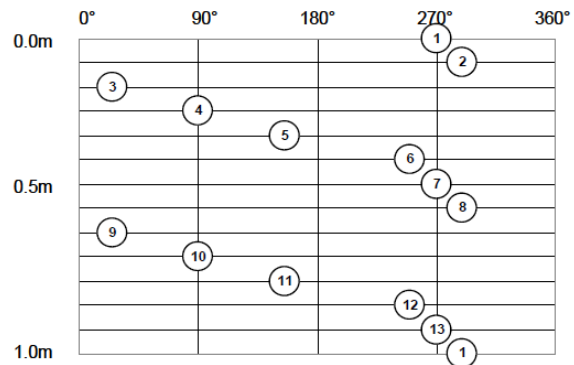
Shot Interval	Strip Length	Shot Total	Strip Weight w/o explosive components
1 m	1.11 m	21	0.5 kg
2 m	2.11 m	41	1.0 kg
3 m	3.11 m	61	1.5 kg

Note: Maximum 2 Strips per run are recommended

System Components

Item	1 m	2 m	3m
Carrier Strip	2315270	2315272	2315274
Firing Head Strip		2819076	
Bull Nose TTG Strip		2819092	
Accessory Kit Strip for Z480 or 1018		2819449	
Accessory Kit Strip for 1015E or 1423		2311155	
Tandem Strip Adapter		2819142	

Note: It is recommended to use one Accessory Kit Strip per run

Configuration Schematic

Shot Pattern 60°

Technical Information

TTG Strip Specifications	
Max O.D.	43mm (1.6875")
Min I.D. For Running	45mm (1.78")
Pressure Rating	Depending on Charge Type
Tandem Shot Spacing	0.16m (0.52ft)
Firing Head Thread	1 3/16-12 Type "B"
Debris/Charge	Depending on Charge Type

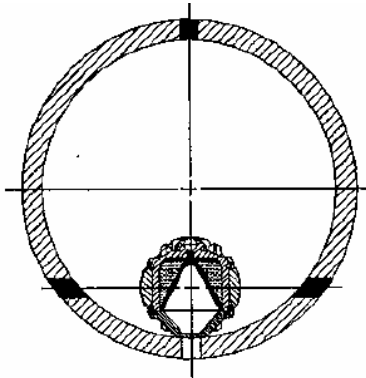
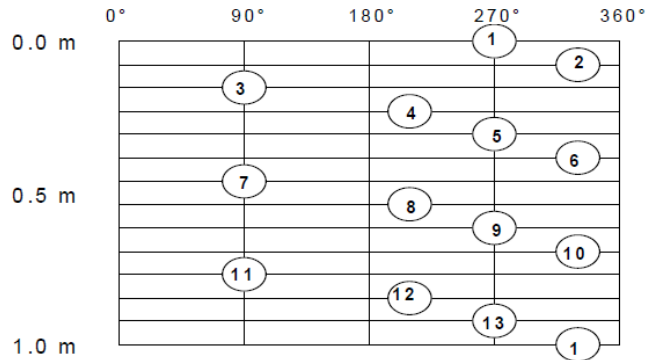
Shot Interval	Strip Length	Shot Total	Strip Weight w/o explosive components
1 m	1.11m	21	0.5 kg
2 m	2.11 m	41	1.0 kg
3 m	3.11 m	61	1.5 kg

Note: Maximum recommended running length is 7.5m (24.6ft)

System Components

Item	Part No.
Firing Head Link	2314293
Bottom Nose	2819175
Accessory Kit Link for Z480 or 1018	2311156
Accessory Kit Link for 1015E or 1423	2311157

Note: It is recommended to use one Accessory Kit Strip per run.

Configuration Schematic

Shot Pattern 90°

Technical Information

TTG Strip Specifications	
Max O.D.	43mm (1.6875")
Min I.D. For Running	45mm (1.78")
Pressure Rating	Depending on Charge Type
Tandem Shot Spacing	0.16m (0.52ft)
Firing Head Thread	1 3/16-12 Type "B"
Debris/Charge	Depending on Charge Type

Shot Interval	Strip Length	Shot Total	Strip Weight w/o explosive components
1 m	1.11m	21	0.5 kg
2 m	2.11 m	41	1.0 kg
3 m	3.11 m	61	1.5 kg

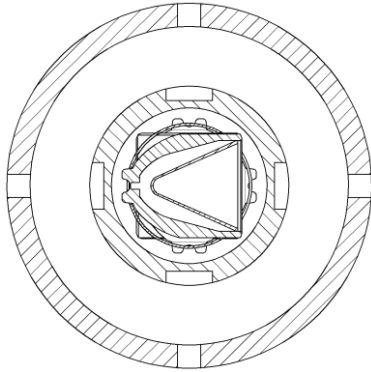
Note: Maximum recommended running length is 7.5m (24.6ft)

System Components

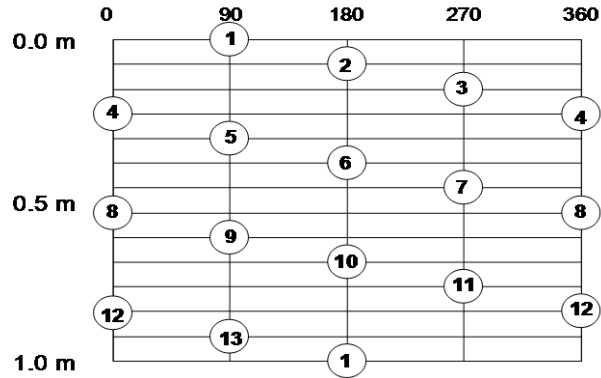
Item	Part No.
Firing Head Link	2314293
Bottom Nose	2819175
Accessory Kit Link for Z480 or 1018	2311156
Accessory Kit Link for 1015E or 1423	2311157

Note: It is recommended to use one Accessory Kit Strip per run.

Configuration Schematic



Shot Pattern



Technical Information

Carrier Specifications	
Pressure Rating	138 MPa / 20,000 psi
Temperature Rating	230 °C / 450 °F
Tensile Strength	343,000 N / 77,000 lbs
Tandem Shot Spacing	0.40 m / 1.31 ft
Carrier Thread	1.687" - 8 TPI STUB ACME

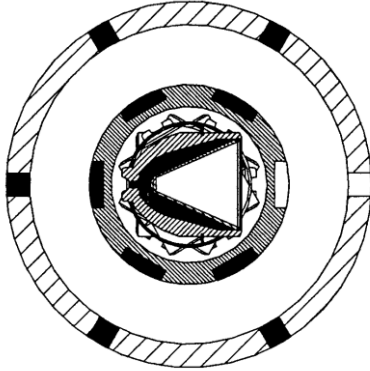
Only to be shot in fluid when using zinc charges

Shot Interval	Gun Length	Shot Total	Gun Weight w/o explosive components
1 m	1.26 m	14	8.6 kg net
2 m	2.26 m	27	15.3 kg net
3 m	3.26 m	40	22.0 kg net
4 m	4.26 m	53	28.7 kg net
5 m	5.26 m	66	35.4 kg net
6 m	6.26 m	79	42.0 kg net

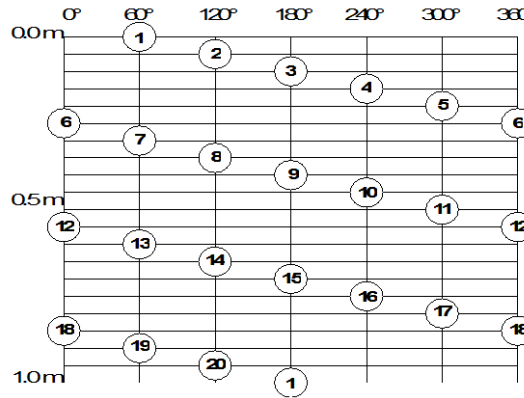
Selection Chart

Item	1 m	2 m	3 m	4 m	5 m	6 m
Gun System for 6.5g DP	2315619	2315621	2315624	2315626	2315628	2315630
Charge Tube for 6.5g DP	2315647	2315649	2315651	2315654	2315656	2315658
Carrier	2315593	2315595	2315597	2315599	2315601	2315603
Retention Ring	On Demand					
Booster Kit	2315723					
Spacer Gun Kit	On Demand					

Configuration Schematic



Shot Pattern



Technical Information

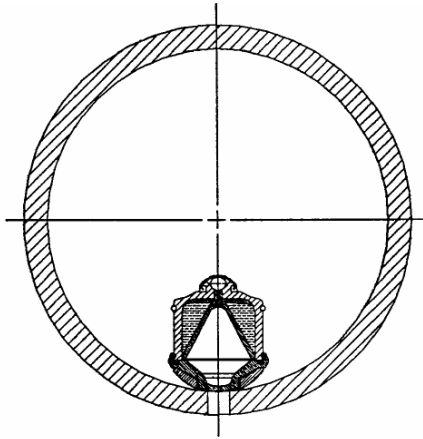
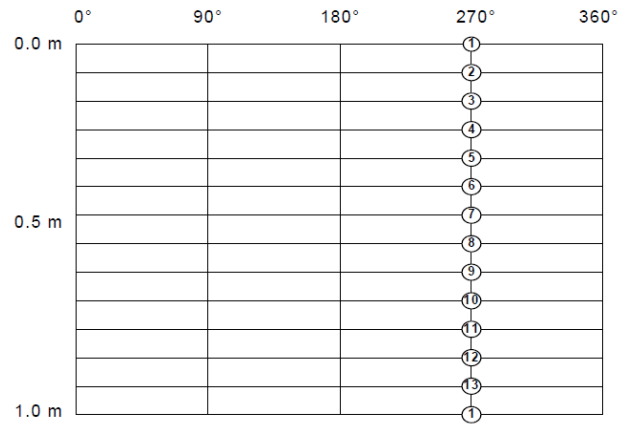
Carrier Specifications	
Pressure Rating	138 MPa / 20,000 psi
Temperature Rating	230 °C / 450 °F
Tensile Strength	343,000 N / 77,000 lbs
Tandem Shot Spacing	0.40 m / 1.31 ft
Carrier Thread	1.687" - 8 TPI STUB ACME

Only to be shot in fluid when using zinc charges

Shot Interval	Gun Length	Shot Total	Gun Weight w/o explosive components
1 m	1.26 m	21	8.6 kg net
2 m	2.26 m	41	15.3 kg net
3 m	3.26 m	61	22.0 kg net
4 m	4.26 m	81	28.7 kg net
5 m	5.26 m	101	35.4 kg net
6 m	6.26 m	121	42.0 kg net

Selection Chart

Item	1 m	2 m	3 m	4 m	5 m	6 m
Gun System for 6.5g DP	2315633	2315635	1315637	2315639	2315641	2315643
Charge Tube for 6.5g DP	2315661	2315663	2315665	2315667	2315670	2315672
Carrier	2315506	2315508	2315510	2315512	2315614	2315616
Retention Ring	On Demand					
Booster Kit	2315723					
Spacer Gun Kit	On Demand					

Configuration Schematic

Shot Pattern

Technical Information

TTG Strip Specifications	
Max O.D.	54mm [2.125"]
Min I.D. For Running	57mm [2.25"]
Pressure Rating	Depending on Charge Type
Temperature Rating	Depending on Charge Type
Tensile Strength	2,000 N (450lbs)
Tandem Shot Spacing	0.16m (0.52ft)
Firing Head Thread	1 3/16-12 Type "B"
Debris/Charge	Depending on Charge Type

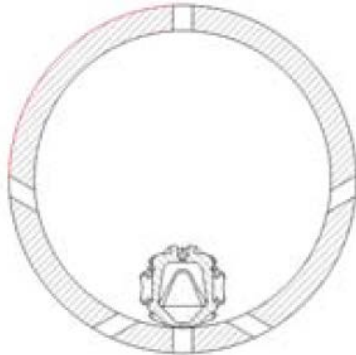
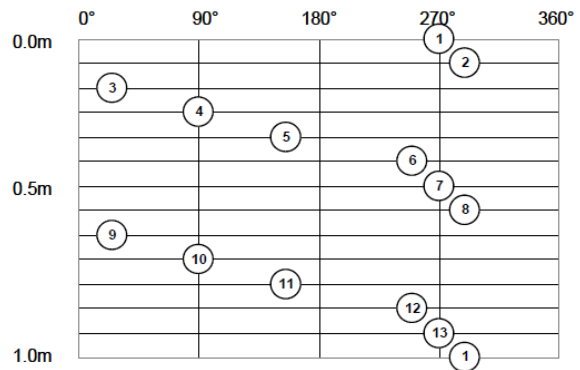
Shot Interval	Strip Length	Shot Total	Strip Weight w/o explosive components
1 m	1.14 m	14	0.5 kg
2 m	2.14 m	27	1.0 kg
3 m	3.14 m	40	1.5 kg

Note: Maximum 2 Strips per run are recommended

System Components

Item	1 m	2 m	3m
Carrier Strip	2315269	2315271	2315273
Firing Head Strip		2819076	
Bull Nose TTG Strip		2819092	
Accessory Kit Strip for Z480 or 1018		2819449	
Accessory Kit Strip for 1015E or 1423		2311155	
Tandem Strip Adapter		2819142	

Note: It is recommended to use one Accessory Kit Strip per run

Configuration Schematic

Shot Pattern 60°

Technical Information

TTG Strip Specifications	
Max O.D.	54mm [2.125"]
Min I.D. For Running	57mm [2.25"]
Pressure Rating	Depending on Charge Type
Temperature Rating	Depending on Charge Type
Tensile Strength	2.000N [450lbs]
Firing Head Thread	1 3/16-12 Type "B"
Debris/Charge	Depending on Charge Type

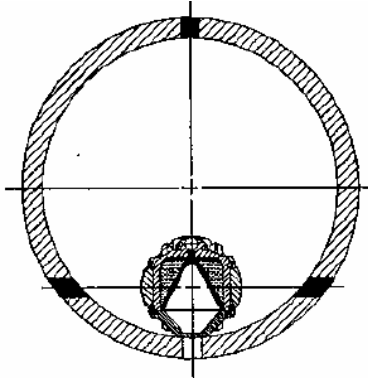
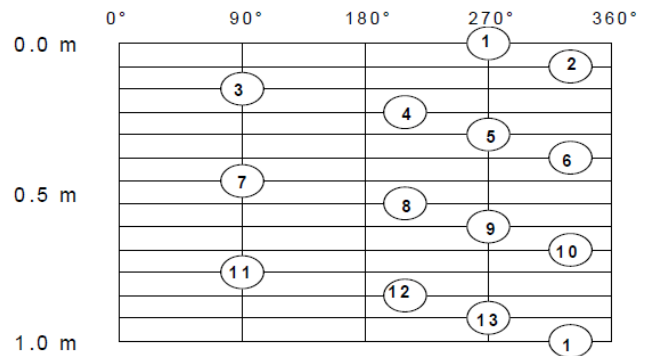
Shot Interval	Strip Length	Shot Total	Strip Weight w/o explosive components
1 m	1.14 m	14	0.5 kg
2 m	2.14 m	27	1.0 kg
3 m	3.14 m	40	1.5 kg

Note: Maximum recommended running length is 7.5m (24.6ft)

System Components

Item	Part No.
Firing Head Link	2314293
Bottom Nose	2819175
Accessory Kit Link for Z480 or 1018	2311156
Accessory Kit Link for 1015E or 1423	2311157

Note: It is recommended to use one Accessory Kit Strip per run.

Configuration Schematic

Shot Pattern 90°

Technical Information

TTG Strip Specifications	
Max O.D.	54mm [2.125"]
Min I.D. For Running	57mm [2.25"]
Pressure Rating	Depending on Charge Type
Temperature Rating	Depending on Charge Type
Tensile Strength	2.000N (450lbs)
Firing Head Thread	1 3/16-12 Type "B"
Debris/Charge	Depending on Charge Type

Shot Interval	Strip Length	Shot Total	Strip Weight w/o explosive components
1 m	1.14 m	14	0.5 kg
2 m	2.14 m	27	1.0 kg
3 m	3.14 m	40	1.5 kg

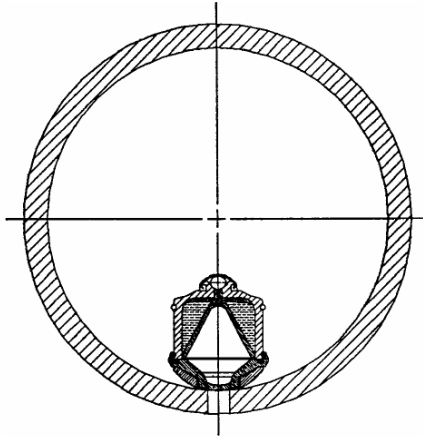
Note: Maximum recommended running length is 7.5m (24.6ft)

System Components

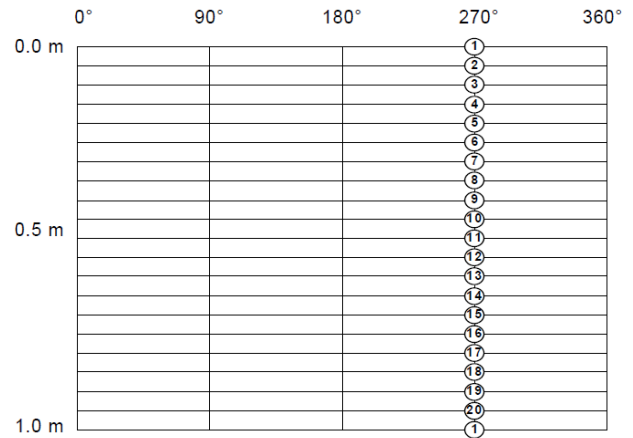
Item	Part No.
Firing Head Link	2314293
Bottom Nose	2819175
Accessory Kit Link for Z480 or 1018	2311156
Accessory Kit Link for 1015E or 1423	2311157

Note: It is recommended to use one Accessory Kit Strip per run.

Configuration Schematic



Shot Pattern



Technical Information

TTG Strip Specifications	
Max O.D.	54mm [2.125"]
Min I.D. For Running	57mm [2.25"]
Pressure Rating	Depending on Charge Type
Temperature Rating	Depending on Charge Type
Tensile Strength	2,000 N (450lbs)
Tandem Shot Spacing	0.16m (0.52ft)
Firing Head Thread	1 3/16-12 Type "B"
Debris/Charge	Depending on Charge Type

Shot Interval	Strip Length	Shot Total	Strip Weight w/o explosive components
1 m	1.11 m	21	0.5 kg
2 m	2.11 m	41	1.0 kg
3 m	3.11 m	61	1.5 kg

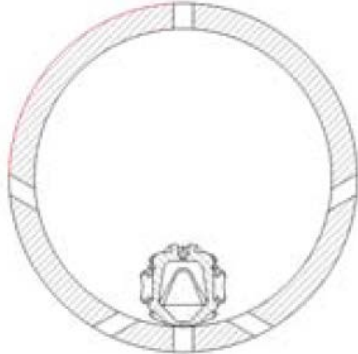
Note: Maximum 2 Strips per run are recommended

System Components

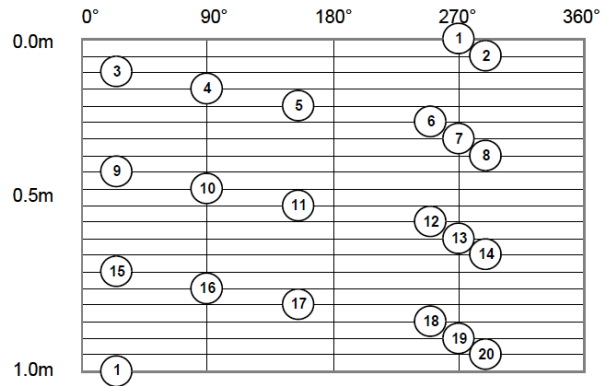
Item	1 m	2 m	3m
Carrier Strip	2315270	2315272	2315274
Firing Head Strip		2819076	
Bull Nose TTG Strip		2819092	
Accessory Kit Strip for Z480 or 1018		2819449	
Accessory Kit Strip for 1015E or 1423		2311155	
Tandem Strip Adapter		2819142	

Note: It is recommended to use one Accessory Kit Strip per run

Configuration Schematic



Shot Pattern 60°



Technical Information

TTG Strip Specifications	
Max O.D.	54mm (2.125")
Min I.D. For Running	57mm (2.25")
Pressure Rating	Depending on Charge Type
Temperature Rating	Depending on Charge Type
Tensile Strength	2.000N (450lbs)
Firing Head Thread	1 3/16-12 Type "B"
Debris/Charge	Depending on Charge Type

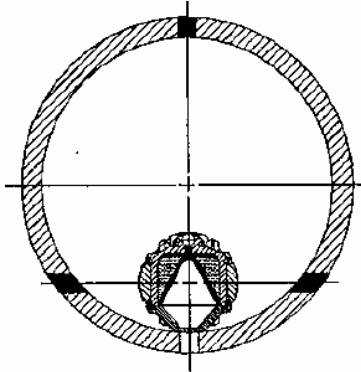
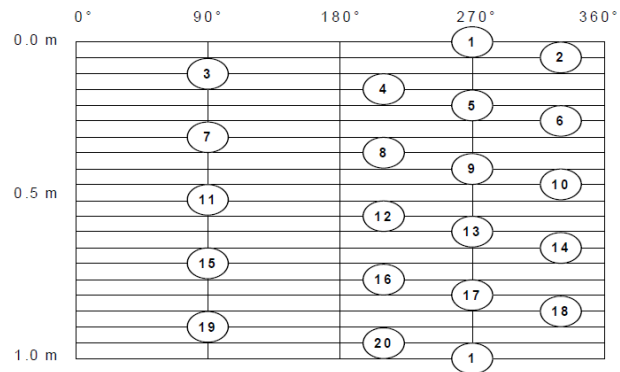
Shot Interval	Strip Length	Shot Total	Strip Weight w/o explosive components
1 m	1.11 m	21	0.5 kg
2 m	2.11 m	41	1.0 kg
3 m	3.11 m	61	1.5 kg

Note: Maximum recommended running length is 7.5m (24.6ft)

System Components

Item	Part No.
Firing Head Link	2314293
Bottom Nose	2819175
Accessory Kit Link for Z480 or 1018	2311156
Accessory Kit Link for 1015E or 1423	2311157

Note: It is recommended to use one Accessory Kit Strip per run.

Configuration Schematic

Shot Pattern 90°

Technical Information

TTG Strip Specifications	
Max O.D.	54mm [2.125"]
Min I.D. For Running	57mm [2.25"]
Pressure Rating	Depending on Charge Type
Temperature Rating	Depending on Charge Type
Tensile Strength	2.000N (450lbs)
Firing Head Thread	1 3/16-12 Type "B"
Debris/Charge	Depending on Charge Type

Shot Interval	Strip Length	Shot Total	Strip Weight w/o explosive components
1 m	1.11 m	21	0.5 kg
2 m	2.11 m	41	1.0 kg
3 m	3.11 m	61	1.5 kg

Note: Maximum recommended running length is 7.5m (24.6ft)

System Components

Item	Part No.
Firing Head Link	2314293
Bottom Nose	2819175
Accessory Kit Link for Z480 or 1018	2311156
Accessory Kit Link for 1015E or 1423	2311157

Note: It is recommended to use one Accessory Kit Strip per run.